

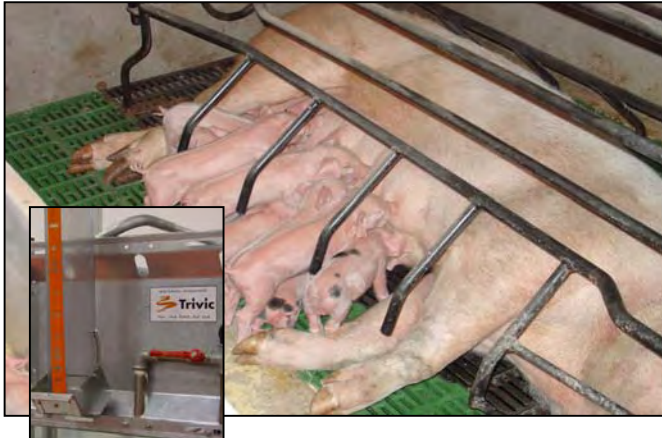
Farrowing crate with fingers

Narrow in the middle, to avoid the crashing

Adjustable length, two positions

Adjustable wide, three positions
Made with 1" and 3/4" pipe

Hot dip galvanized



Heating pads, water & electric

0
0

Slats, plastic and cast iron

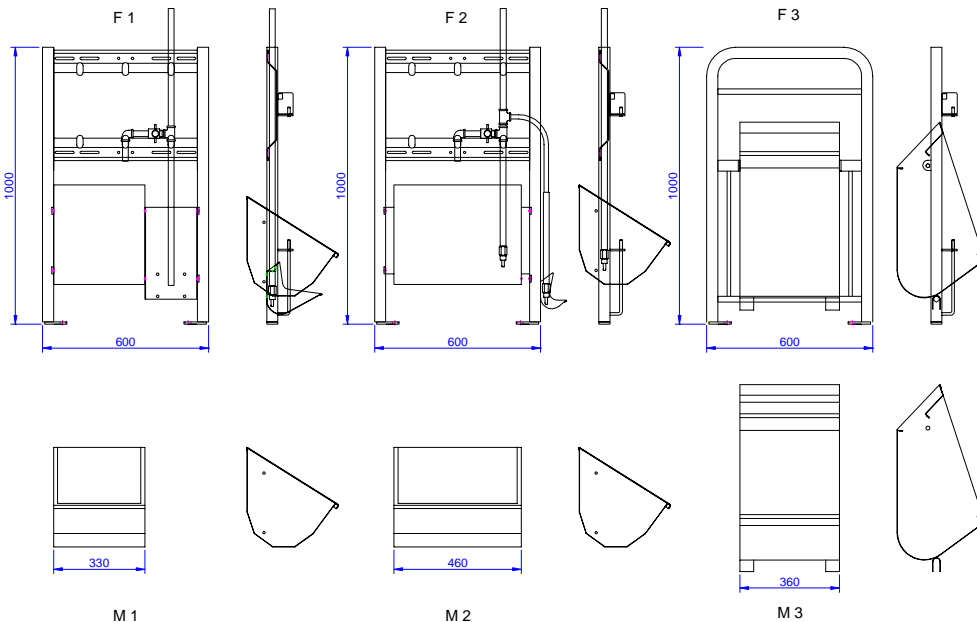
Dividers

PVC profile, 35 x 500 mm
Ends in stainless steel "U"

Ventilation with intermittent flow

Front parts

We can use different water configurations and different model of feeders



F 1

Feeder 330
Low drinker bowl

F 2

Feeder 460
Inside drinker, bowl for piglets

F 3

Feeder mod high
Exterior drinker

Feeders

Made with stainless steel A-304

M 1

Feeder 330

M 2

Feeder 460

M 3

Feeder mod high